

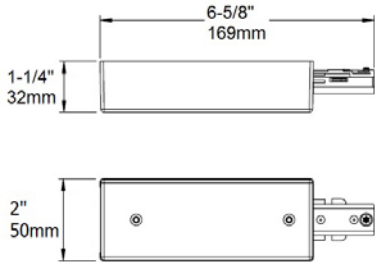


H1CLx

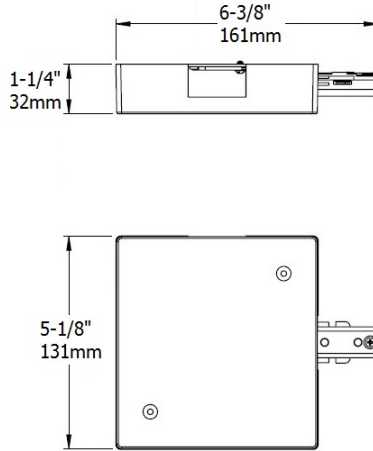
H1 TRACK CURRENT LIMITING FEEDS

Type	
Project	
Catalog No.	

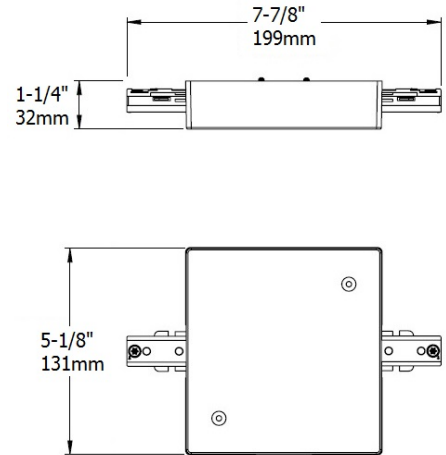
MINI END FEED (H1CLM)



END FEED (H1CLE)



IN-LINE FEED (H1CLI)



DESCRIPTION

JESCO Current Limiting Feeds is an integrated solution for complying with today's stringent energy codes. Designed to be installed at every track system feed point, the built-in circuit breaker limit available power to the circuit.

CONSTRUCTION

Galvanized steel mounting plate.
 Accepts 3/8" or 1/2" electrical fittings.
 Injection molded polycarbonate cover.
 Tamper resistant screws secure cover and track.
 Resettable rocker switch.

ELECTRICAL

Input 120VAC 50/60Hz

LABELS

cULus Listed

WARRANTY

18 months

ORDERING INFORMATION

HOUSING TYPE	CIRCUIT BREAKER RATING	FINISH
H1CLM Current Limiting Mini End Feed	0060 – 60W, 0.5A	BK – Black
	0120 – 120W, 1A	WT – White
	0240 – 240W, 2A	
	0360 – 360W, 3A	
	0480 – 480W, 4A	
	0600 – 600W, 5A	
	1200 – 1200W, 10A	

H1CLM		-
-------	--	---

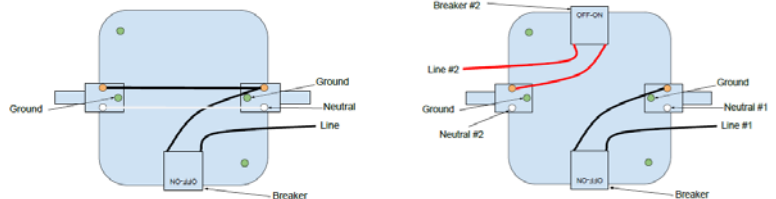
HOUSING TYPE	CIRCUIT BREAKER RATING #1	CIRCUIT BREAKER RATING #2	FINISH
H1CLI Current Limiting In-Line Feed	0060 – 60W, 0.5A	0060 – 60W, 0.5A	BK – Black
	0120 – 120W, 1A	0120 – 120W, 1A	WT – White
	0240 – 240W, 2A	0240 – 240W, 2A	
	0360 – 360W, 3A	0360 – 360W, 3A	
	0480 – 480W, 4A	0480 – 480W, 4A	
	0600 – 600W, 5A	0600 – 600W, 5A	
	1200 – 1200W, 10A	1200 – 1200W, 10A	
		0000 – -none-	

H1CLI			-
-------	--	--	---

Note: When specifying dual breaker, please list the lower rating first.

HOUSING TYPE	CIRCUIT BREAKER RATING	FINISH
H1CLE Current Limiting End Feed	0060 – 60W, 0.5A	BK – Black
	0120 – 120W, 1A	WT – White
	0240 – 240W, 2A	
	0360 – 360W, 3A	
	0480 – 480W, 4A	
	0600 – 600W, 5A	
	1200 – 1200W, 10A	

H1CLE		-
-------	--	---



Example A – (1) 1200W circuit
H1CLI 1200 0000 -xx

Example B – 120W + 480W
H1CLI 0120 0480 -xx



www.jescolighting.com
 support@jescolighting.com
 Tech Support: 855.592.0029

15 Harbor Park Drive
 Port Washington, NY 11050
 Main Line: 800.527.7796
 Fax Line: 855.265.5768

219 South 6th Ave
 City of Industry, CA 91746
 Main Line: 855.654.0110
 Fax Line: 626.333.2955

Specifications subject to change without notice.