

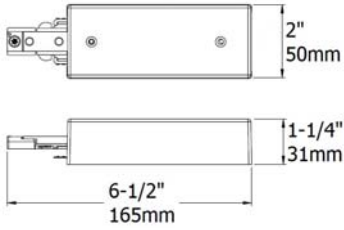


**J1CLx**

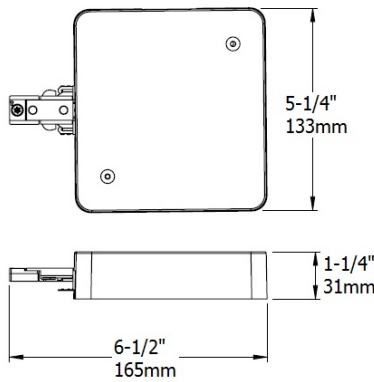
**J1 TRACK CURRENT LIMITING FEEDS**

Type	
Project	
Catalog No.	

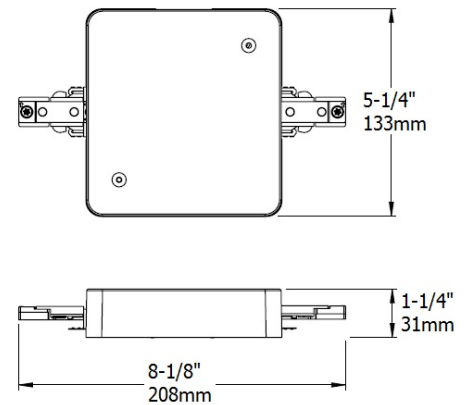
**MINI END FEED (J1CLM)**



**END FEED (J1CLE)**



**IN-LINE FEED (J1CLI)**



**DESCRIPTION**

JESCO Current Limiting Feeds is an integrated solution for complying with today's stringent energy codes. Designed to be installed at every track system feed point, the built-in circuit breaker limit available power to the circuit.

**CONSTRUCTION**

Galvanized steel mounting plate.  
 Accepts 3/8" or 1/2" electrical fittings.  
 Injection molded polycarbonate cover.  
 Tamper resistant screws secures cover and track.  
 Resettable rocker switch.

**ELECTRICAL**

Input 120VAC 50/60Hz

**LABELS**

cULus Listed

**WARRANTY**

18 months

**ORDERING INFORMATION**

HOUSING TYPE	CIRCUIT BREAKER RATING	FINISH
<b>J1CLM</b> Current Limiting Mini End Feed	<b>0060</b> – 60W, 0.5A	<b>BK</b> – Black
	<b>0120</b> – 120W, 1A	<b>WT</b> – White
	<b>0240</b> – 240W, 2A	
	<b>0360</b> – 360W, 3A	
	<b>0480</b> – 480W, 4A	
	<b>0600</b> – 600W, 5A	
	<b>1200</b> – 1200W, 10A	

J1CLM		-
-------	--	---

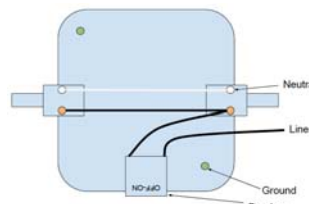
HOUSING TYPE	CIRCUIT BREAKER RATING	FINISH
<b>J1CLE</b> Current Limiting End Feed	<b>0060</b> – 60W, 0.5A	<b>BK</b> – Black
	<b>0120</b> – 120W, 1A	<b>WT</b> – White
	<b>0240</b> – 240W, 2A	
	<b>0360</b> – 360W, 3A	
	<b>0480</b> – 480W, 4A	
	<b>0600</b> – 600W, 5A	
	<b>1200</b> – 1200W, 10A	

J1CLE		-
-------	--	---

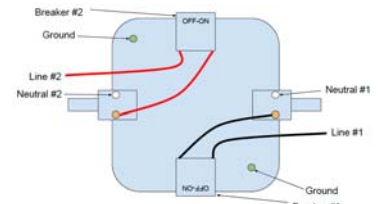
HOUSING TYPE	CIRCUIT BREAKER RATING #1	CIRCUIT BREAKER RATING #2	FINISH
<b>J1CLI</b> Current Limiting In-Line Feed	<b>0060</b> – 60W, 0.5A	<b>0060</b> – 60W, 0.5A	<b>BK</b> – Black
	<b>0120</b> – 120W, 1A	<b>0120</b> – 120W, 1A	<b>WT</b> – White
	<b>0240</b> – 240W, 2A	<b>0240</b> – 240W, 2A	
	<b>0360</b> – 360W, 3A	<b>0360</b> – 360W, 3A	
	<b>0480</b> – 480W, 4A	<b>0480</b> – 480W, 4A	
	<b>0600</b> – 600W, 5A	<b>0600</b> – 600W, 5A	
	<b>1200</b> – 1200W, 10A	<b>1200</b> – 1200W, 10A	
		<b>0000</b> – -none-	

J1CLI			-
-------	--	--	---

Note: When specifying dual breaker, please list the lower rating first.



Example A – (1) 1200W circuit  
**J1CLI 1200 0000 -xx**



Example B – 120W + 480W  
**J1CLI 0120 0480 -xx**



www.jescolighting.com  
 support@jescolighting.com  
 Tech Support: 855.592.0029

15 Harbor Park Drive  
 Port Washington, NY 11050  
 Main Line: 800.527.7796  
 Fax Line: 855.265.5768

219 South 6<sup>th</sup> Ave  
 City of Industry, CA 91746  
 Main Line: 855.654.0110  
 Fax Line: 626.333.2955

Specifications subject to change without notice.