

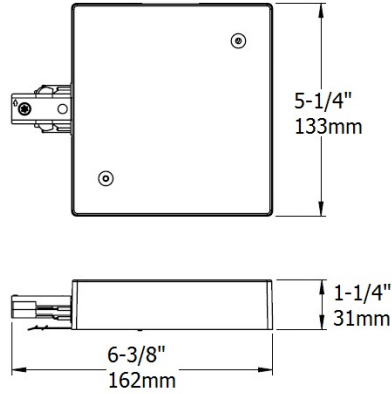


J2CLx-T24

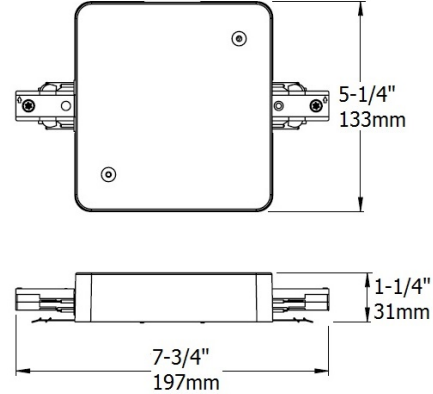
**J2 TRACK CURRENT LIMITING FEEDS
TITLE 24 COMPLIANT**

Type	
Project	
Catalog No.	

**END FEED
(J2CLE)**
ships with 12" track section



**IN-LINE FEED
(J1CLI)**
ships with 12" track section



DESCRIPTION

JESCO Current Limiting Feeds is an integrated solution for complying with today's stringent energy codes such as California Title 24. Designed to be installed at every track system feed point, the built-in circuit breaker limit available power to the circuit.

CONSTRUCTION

- Galvanized steel mounting plate.
- Accepts 3/8" or 1/2" electrical fittings.
- Injection molded polycarbonate cover.
- Tamper resistant screws secures cover.
- Resettable rocker switch.
- 12" track section secured by tamper resistant screw.

ELECTRICAL

Input 120VAC 50/60Hz

LABELS

cULus Listed
Approved by the California Energy Commission to meet the requirements of Title 24

WARRANTY

18 months

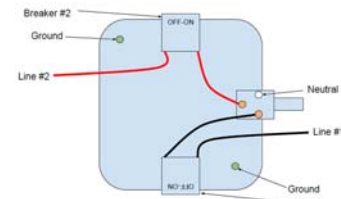
ORDERING INFORMATION

HOUSING TYPE	CIRCUIT BREAKER RATING #1	CIRCUIT BREAKER RATING #2	FINISH
J2CLE-T24	0060 – 60W, 0.5A	0060 – 60W, 0.5A	BK – Black
Current Limiting	0120 – 120W, 1A	0120 – 120W, 1A	WT – White
In-Line Feed	0240 – 240W, 2A	0240 – 240W, 2A	
Title 24	0360 – 360W, 3A	0360 – 360W, 3A	
Compliant	0480 – 480W, 4A	0480 – 480W, 4A	
	0600 – 600W, 5A	0600 – 600W, 5A	
	1200 – 1200W, 10A	1200 – 1200W, 10A	

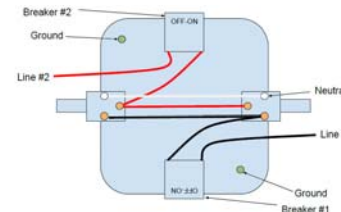
J2CLE-T24			-
-----------	--	--	---

HOUSING TYPE	CIRCUIT BREAKER RATING #1	CIRCUIT BREAKER RATING #2	FINISH
J2CLI-T24	0060 – 60W, 0.5A	0060 – 60W, 0.5A	BK – Black
Current Limiting	0120 – 120W, 1A	0120 – 120W, 1A	WT – White
In-Line Feed	0240 – 240W, 2A	0240 – 240W, 2A	
Title 24	0360 – 360W, 3A	0360 – 360W, 3A	
Compliant	0480 – 480W, 4A	0480 – 480W, 4A	
	0600 – 600W, 5A	0600 – 600W, 5A	
	1200 – 1200W, 10A	1200 – 1200W, 10A	

J2CLI-T24			-
-----------	--	--	---



**Example A – 600W + 1200W
J2CLE-T24 0600 1200 -xx**
(Please list lower rating first)



**Example B – 120W + 480W
J2CLI-T24 0120 0480 -xx**
(Please list lower rating first)



www.jescolighting.com
support@jescolighting.com
Tech Support: 855.592.0029

15 Harbor Park Drive
Port Washington, NY 11050
Main Line: 800.527.7796
Fax Line: 855.265.5768

219 South 6th Ave
City of Industry, CA 91746
Main Line: 855.654.0110
Fax Line: 626.333.2955

Specifications subject to change without notice.