



WW2-HW-S

OUTDOOR LIGHTING
LED WALL WASHERS

Type	
Project	
Catalog No.	



DESCRIPTION

The WW2-HW-S is the next generation of wall washer series engineered with increased performance, efficacy, light output and more control options. The WW2-HW series is suitable for outdoor wall washing applications and can be controlled independently without a DMX controller for simple colors and color changing effects. DMX control is optional for more advanced lighting programming and specific colors. The fixture works in 120V or 277V AC hardwire applications.

FEATURES

- c-ETL-us listed for outdoor use
- Line voltage with 58 inch leads for hardwire installation
- Built-in controller features simple colors and color changing effects, step dimming, master and slave control – see Control Functions
- DMX control optional
- Includes mounting hardware that positions anywhere along the fixture
- Complete line of DMX accessories to meet all design and wiring layouts available
- Impact and heat resistant tempered glass

SPECIFICATIONS

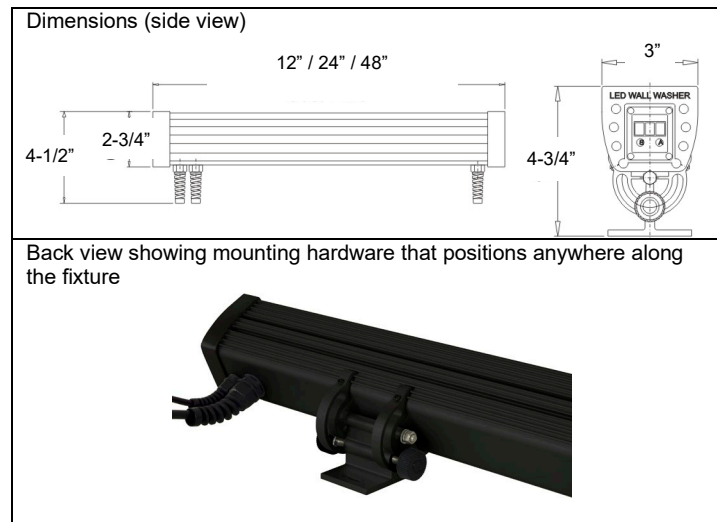
Input Voltage	120-277V AC
CRI	80+
Beam Angle	10°/20°/45°/15x55°
Lamp Life	50,000 hours
Fixture Rotation	150°
Mounting	Mounting Brackets included
Control	Simple built-in controller standard, optional external DMX controller available
DMX Connector	IP68 DMX with 18 inch cable
Max DMX connections *	30 fixtures or 180 feet
Operating Temperature †	-4°F to 104°F
Weight	13 lbs max
Environment †	IP68, Wet, Damp, or Dry
Certifications	
Warranty	5 Years – see published warranty terms for detailed information.

FIXTURE DATA

Part Number	Length	LED QTY	Watts (max)	Color	Lumens (max)	Efficacy
WW2-HW-S12	12"	9	12	WW	614	51
				NW	710	59
				CW	935	78
				RGB	270	23
WW2-HW-S24	24"	18	20	WW	1420	71
				NW	1645	82
				CW	1870	93
				RGB	625	31
WW2-HW-S48	48"	36	40	WW	2627	66
				NW	3067	77
				CW	3374	84
				RGB	1166	29

* DMX signal amplifier is required every 30 fixtures or 180 feet (recommended). 450 feet max if no signal interference.

† Exceeding the operating temperature values may damage the LEDs by reducing the lifespan, lumen output, and/or adversely impact color consistency. It is recommended adequate airflow and heatsinking be taken into consideration in the installation and application of this product. Improper thermal management may lead to premature product failure and void the warranty. Not submersible.





WW2-HW-S

OUTDOOR LIGHTING
LED WALL WASHERS

Type	
Project	
Catalog No.	

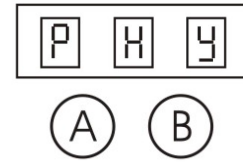
ORDERING INFORMATION

SERIES	LENGTH	VOLTAGE	COLOR	BEAM ANGLE	Finish
WW2-HW-S					
	12: 12" 24: 24" 48: 48"	UNI: 120-277V	WW: Warm White NW: Neutral White CW: Cool White RGB: Red, Green, Blue	10: 10° 20: 20° 45: 45° 15x55: 15° x 55°	BK: Black SV: Silver WH: White

Example: **WW2-HW-S24-UNI-WW-20-BK**
 Warm White: 2850-3050K, Neutral White: 4100 – 4500K, Cool White: 6300-7000K

Independent Mode (Built-in controller – No DMX controller required)

- Press B to activate the built-in controller. The digital screen will read "PXY" where X and Y represent a number or letter. See chart below.
- Press A to select either parameter "X" or parameter "Y"
- Press B once the parameter has been selected to increase the value from 1 to 9.
- Wait 10 secs for the "PXY" display to stop flashing and for the data to be recorded.



Master/Slave Mode:

Program the first fixture as above. Set Master fixture to address 001. Set Slave fixtures to anything except 001.

X	RGB	WW or NW (# of channels)	Y value
1	Red	Single channel of white	1 to 9 : Brightness
2	Green	Single channel of white	1 to 9 : Brightness
3	Yellow	Two channels of white	1 to 9 : Brightness
4	Blue	Single channel of white	1 to 9 : Brightness
5	Purple	Two channels of white	1 to 9 : Brightness
6	Cyan	Two channels of white	1 to 9 : Brightness
7	Cool White	Full on	1 to 9 : Brightness
8	Slow Flash (Red, Green, Yellow, Blue, Purple, Cyan, Cool White)	Slow Flash (1-1-2-1-2-2-3)	1 to 9 : Speed
9	Fade (Yellow, Red, Green, Cyan, Blue, Purple, Cool White)	Fade Pulse (2-1-1-2-1-2-3)	1 to 9 : Speed
A	Multicolor Fade (Cyan, Cool White, Orange, Purple)	Rolling / Wave	1 to 9 : Speed
b	Fast Flash (Red, Green, Yellow, Blue, Purple, Cyan, Cool White)	Fast Flash (1-1-2-1-2-2-3)	1 to 9 : Speed
C	Cycles through programs 8 to B	Cycles through programs 8 to B	1 to 9 : Cycle

CONTROL FUNCTIONS

DMX Mode – DMX controller required

Press A to activate DMX mode. Press A again to change selected position.
 Press B to increase the value and set the starting channel. Each fixture has 3 channels.



DMX Address	Set fixture to	DMX Address	Set fixture to	DMX Address	Set fixture to
1	001	8	022	15	043
2	004	9	025	16	046
3	007	10	028	17	049
4	010	11	031	18	052
5	013	12	034	19	055
6	016	13	037	20	058
7	019	14	040	21	061

Consult factory for additional DMX addresses.



www.jescolighting.com
 support@jescolighting.com
 Tech Support: 855.592.0029

15 Harbor Park Drive
 Port Washington, NY 11050
 Main Line: 800.527.7796
 Fax Line: 855.265-5768

219 South 6th Ave
 City of Industry, CA 91746
 Main Line: 626.333.3661
 Fax Line: 626.333.2955

10/4/2021

Specifications subject to change without notice.



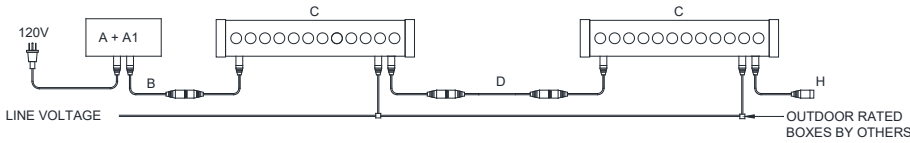
WW2-HW-S

OUTDOOR LIGHTING
LED WALL WASHERS

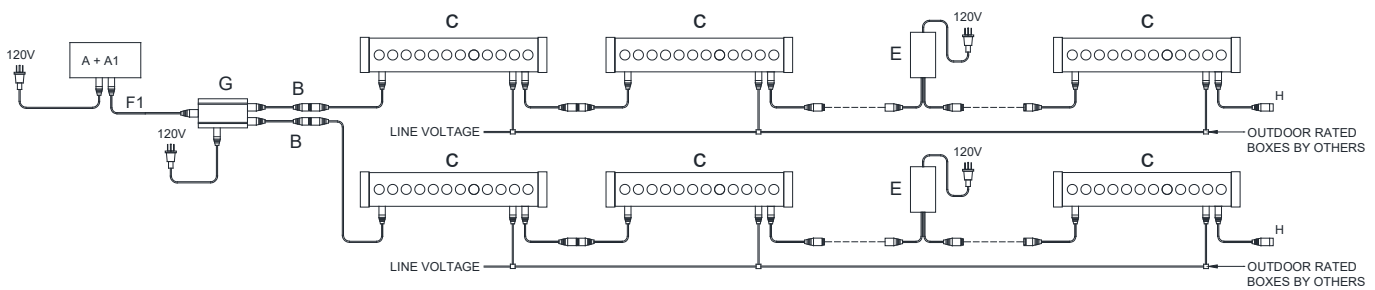
Type	
Project	
Catalog No.	

WIRING DIAGRAMS – For reference purposes only. Not to scale

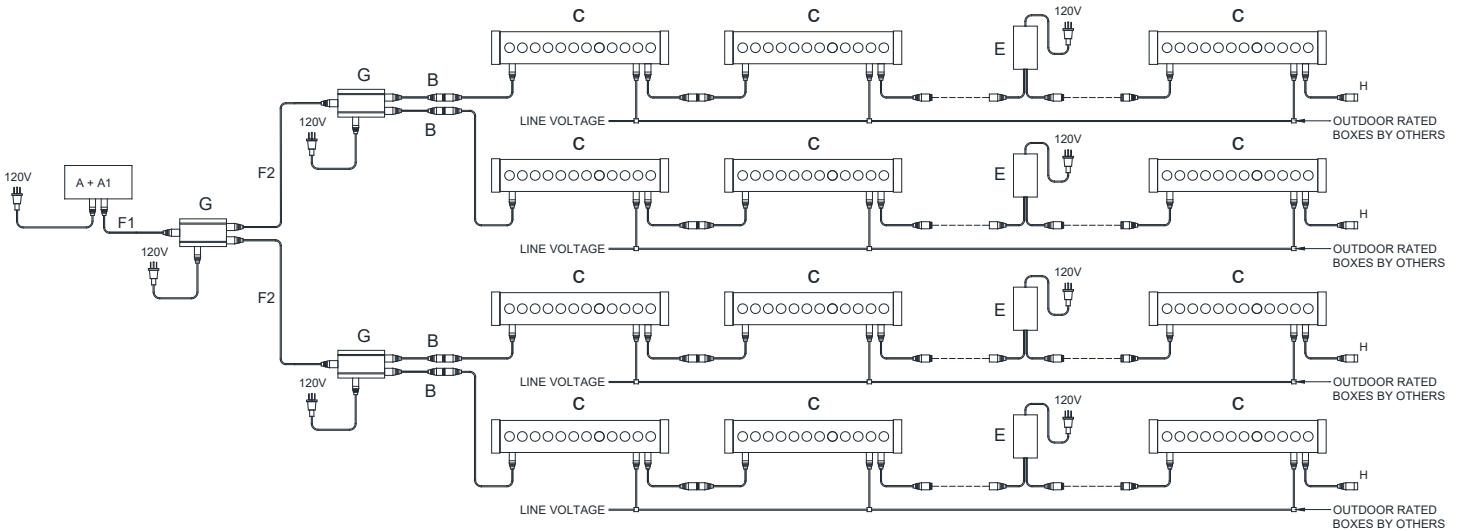
DMX Wiring – Single run (Max 30 fixtures or 180 feet)



DMX Wiring – For multiple home runs, runs of over 30 fixtures, or over 180 feet



DMX Wiring – For large projects with over 8 home runs, runs of over 30 fixtures, or over 180 feet



Using LC-PC-100 Controller

A - Controller	LC-PC-100
A1 – Controller power supply	DL-PS-WP/USB-MN
B – Conversion cable	LCC-X3M/WW2-1
C – Fixture	WW2-HW-S
D – Connecting cable	WW2-CC-X (X = 1', 6', 9', 16')
E – DMX signal amplifier	WW2-DMX-AMP1
F1 – XLR extension cable	LCC-XLR3-EXT-X (X = 3', 16', 32')
F2 – XLR extension cable	LCC-XLR3-EXT-X (X = 3', 16', 32')
G – DMX splitter	LC-DMX-SPT-X (X = 4 ports, 8 ports)
H – DMX connector end cap	WW2-EC

Using LC-PC-400 or LC-PC-500 Controller

A - Controller	LC-PC-400 or LC-PC-500
A1 – Controller power supply	Included with Controller
B – Conversion cable (HW)	LCC-HW/WW2-1
C - Fixture	WW2-HW-S
D – Connecting cable	WW2-CC-X (X = 1', 6', 9', 16')
E – DMX signal amplifier	WW2-DMX-AMP1
F1 – XLR extension cable (HW)	LCC-XLR3-EXT-X-HW (X = 3', 16', 32')
F2 – XLR extension cable	LCC-XLR3-EXT-X (X = 3', 16', 32')
G – DMX splitter	LC-DMX-SPT-X (X = 4 ports, 8 ports)
H – DMX connector end cap	WW2-EC

Note: For non-RGB fixtures, parts A, A1, B, F, and G are not required. The integrated controller can be used for step-dimming.



www.jescolighting.com
support@jescolighting.com
Tech Support: 855.592.0029

15 Harbor Park Drive
Port Washington, NY 11050
Main Line: 800.527.7796
Fax Line: 855.265-5768

219 South 6th Ave
City of Industry, CA 91746
Main Line: 626.333.3661
Fax Line: 626.333.2955

10/4/2021

Specifications subject to change without notice.



WW2-HW-S

OUTDOOR LIGHTING
LED WALL WASHERS

Type	
Project	
Catalog No.	

ACCESSORIES

DMX Connector Reference photos

WW2 IP68 DMX Connector (female)	WW2 IP68 DMX Connector (male)	DMX XLR 3-pin Connector (female)	DMX XLR 3-pin Connector (male)

	WW2-EC	Set of IP68 DMX Connector end caps (male and female) to protect the DMX connectors from water and dust.
	WW2-GS-S12 WW2-GS-S24 WW2-GS-S48	WW2S12 Glare Shield add-on to reduce glare. Fixture not included. WW2S24 Glare Shield add-on to reduce glare. Fixture not included. WW2S48 Glare Shield add-on to reduce glare. Fixture not included.
	LC-PC-100	Programmable desktop DMX controller featuring 2-button interface. See specification sheet for more information.
	LC-PC-400	Simple programmable touch-screen DMX wall plate controller. See specification sheet for more information.
	LC-PC-500	Advanced programmable touch-screen DMX wall plate controller. See specification sheet for more information.
	LCC-XLR3-EXT-3 LCC-XLR3-EXT-3-HW	3 ft DMX 3-pin XLR Extension Cable, plug and play 3 ft DMX 3-pin XLR Extension Cable, hard wire to XLR 3-pin connector (female)
	LCC-XLR3-EXT-16 LCC-XLR3-EXT-16-HW	16 ft DMX 3-pin XLR Extension Cable, plug and play 16 ft DMX 3-pin XLR Extension Cable, hard wire to XLR 3-pin connector (female)
	LCC-XLR3-EXT-32 LCC-XLR3-EXT-32-HW	32 ft DMX 3-pin XLR Extension Cable, plug and play 32 ft DMX 3-pin XLR Extension Cable, hard wire to XLR 3-pin connector (female)
	WW2-CC-1	1-1/2 ft Wall Washer connecting cable (WW2 IP68 female / male connector)
	WW2-CC-6	6-1/2 ft Wall Washer connecting cable (WW2 IP68 female / male connector)
	WW2-CC-9	9-3/4 ft Wall Washer connecting cable (WW2 IP68 female / male connector)
	WW2-CC-16	16 ft Wall Washer connecting cable (WW2 IP68 female / male connector)
	LCC-X3M/WW2-1	1-1/2 ft XLR 3-pin connector (male) to WW2 IP68 connector (female) conversion cable
	LCC-HW/WW2-1	1-1/2 ft Hard wire to WW2 IP68 connector (female) conversion cable
	WW2-DMX-AMP-1	DMX Signal Amplifier for WW2 Series Required for runs over 180 feet or 30 fixtures to maintain DMX signal integrity. IP65 WW2 IP68 connector input/output 8" L x 3-1/2" W x 2-1/2" H
	LC-DMX-SPT-4	4-Port DMX Splitter, 120V AC Required for runs over 180 feet or 30 fixtures to maintain DMX signal integrity. IP20 3 or 5 pin XLR input/output Splits DMX signal into 4 outputs.
	LC-DMX-SPT-8	8-Port DMX Splitter, 120V AC Required for runs over 180 feet or 30 fixtures to maintain DMX signal integrity. IP20 3 or 5 pin XLR input/output Splits DMX signal into 8 outputs.



www.jescolighting.com
support@jescolighting.com
Tech Support: 855.592.0029

15 Harbor Park Drive
Port Washington, NY 11050
Main Line: 800.527.7796
Fax Line: 855.265-5768

219 South 6th Ave
City of Industry, CA 91746
Main Line: 626.333.3661
Fax Line: 626.333.2955

10/4/2021

Specifications subject to change without notice.